

MIDAS FLASH
USER MANUAL
AND CARE INSTRUCTIONS



MIDAS FLASH CENTER HEIGHT

0.63 inches

When mounting the Midas Flash, we recommend torquing the mounting screws to 10 in/lbs. Using a medium grade or blue Loctite thread locker is advised, however, do not use permanent or red Loctite.

A) EYE RELIEF

The Midas Flash has unlimited eye relief. You can use the sight at any distance you feel comfortable.

B) BORE SIGHTING

Bore sighting is a preliminary procedure to achieve proper alignment of the sight with the firearm's bore.

After mounting, an initial sight-in is required. We recommend doing this at a close range of roughly 10 yards before finalizing the adjustments at your desired zero distance.

i. Fire a 3-5 shot group as accurately as possible at a close-range distance of 10 yards.

ii. Using this group as a reference, adjust the windage and elevation screws and fire another 3-5 shot confirmation group. Repeat until your point of aim intersects with your point of impact. Confirm your group is centered around the bullseye of the intended target before moving on.

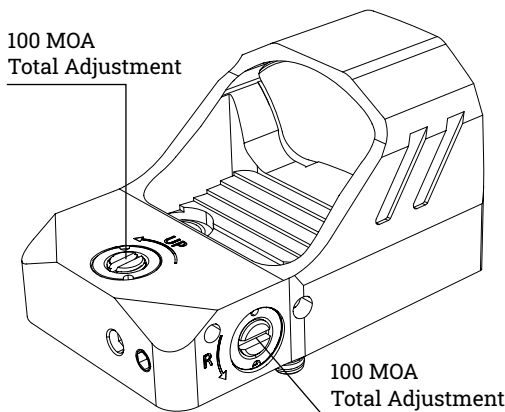
NOTE: Each screw revolution will adjust the sight 64 MOA. Adjust in small increments.

iii. Moving to your final sight-in distance, continue firing 3-5 shot groups and adjusting the optic until your group is centered around the bullseye of the intended target.

MOA, a unit of angular measurement, is defined as a minute of angle, a minute is 1/60th of one degree and 1/21600th of a circle. One MOA equals 1.047 inches (rounded down to 1 inch) at 100 yards, 2 inches at 200 yards and 10 inches at 1000 yards.

IF A LASER BORE SIGHTING OR ANY OTHER SIMILAR DEVICE INSIDE THE BORE WAS USED, IT MUST BE REMOVED BEFORE FIRING. AN OBSTRUCTED BORE CAN CAUSE SERIOUS DAMAGE TO THE GUN AND POSSIBLE INJURY TO THE SHOOTER.

100 MOA
Total Adjustment



100 MOA
Total Adjustment

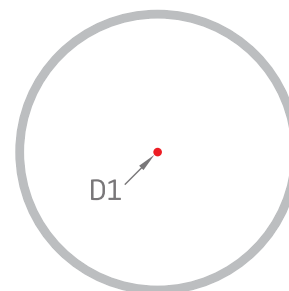
2. RETICLES

The Midas Flash features a 3 MOA red dot with a fixed 1x magnification. This combination is ideally suited to perfectly balance accuracy and fast target/reticle acquisition.

MIDAS FLASH

D1 = 3 MOA

#403071

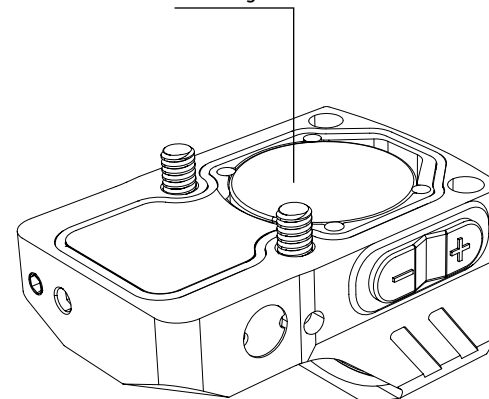


A) ILLUMINATION

The Midas Flash is powered by a CR2032 battery, providing 50,000 hours of constant-on illumination. The illumination switch is set on the side of the scope chassis. Midas Flash has 10 illumination settings. Short press "+" button to turn the unit "ON". Press and hold the "+" button for 3 seconds to turn it "OFF". The unit goes into sleep mode for any 5 minutes without motion and then turns back on when a motion is detected. The motion detector is only working when the unit is powered "ON".

To remove or change the battery, simply unmount the optic and replace the battery on the bottom of the housing. Insert the battery with the negative (-) side towards the housing. The positive (+) side should be visible on the outside. Remount the optic following the same procedure used in the initial mounting. It is advised to always reconfirm your zero to ensure proper mounting and no further changes were made.

Battery on the
housing bottom



3. MAINTAINING YOUR RED DOT SIGHTS

Disassembling or cleaning the sight internally will void the warranty. If the sight requires repairs, please refer to the warranty section for complete instructions.

The external optical surfaces should occasionally be wiped clean. Use the lens cloth provided or an optical quality lens paper to wipe out dust or dirt on the external lens surface. If large sand particles or heavy dirt contamination is observed, remove using soft brush or by blowing them away. Apply lens cleaning liquid before wiping off. Always keep the protective lens covers in place when the scope is not in use to avoid dust collecting on the surface of the lenses. Store the unit in a low-humidity environment.

For any technical related questions, please contact Athlon Optics at contact@athlonoptics.com or call toll free 1-855-913-5678

4. THE ATHLON GOLD MEDAL LIFETIME WARRANTY*

Demand the most from your equipment. When things go unexpectedly or accidents happen, rest assured, Athlon Optics carry a lifetime transferable warranty. Athlon guarantees to repair or replace your product if damaged through normal use. No charge; No receipt; No Registration required.



**This warranty does not cover damages caused by deliberate damage, misuse, theft or maintenance provided by someone other than the Athlon Authorized Service Department.*

**SHARP, TIGHT
AND PRICED
JUST RIGHT!**

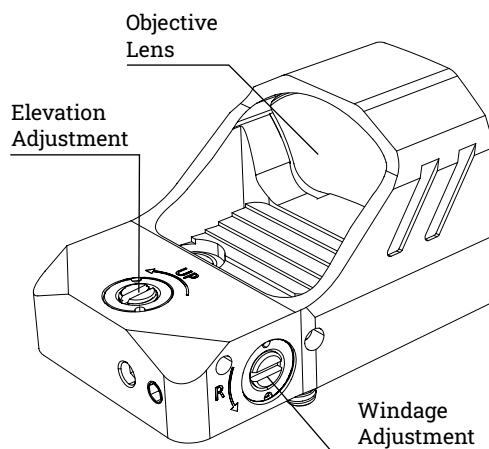
Toll free: 1-855-913-5678

contact@athlonoptics.com

801 N MEADOWBROOK DR,
OLATHE, KS 66062

ATHLONOPTICS.COM

Congratulations on purchasing an Athlon Red Dot Sight. Athlon is the ancient Greek word for "Prize" or "Medal." We think with the purchase of your Athlon product you have won the best "prize" on the market today. Great Quality while still being a great value.



1. MOUNTING YOUR ATHLON RED DOT SIGHT

CAUTION: BEFORE MOUNTING A SIGHTING DEVICE BE SURE THAT THE FIREARM IS NOT LOADED, HAS ACTION OPEN AND THE MUZZLE POINTING IN A SAFE DIRECTION. SAFE FIREARM HANDLING PROCEDURES NEED TO BE PRACTICED AT ALL TIMES.

To achieve the best performance from your firearm and your Athlon Red Dot Sight, your Red Dot Sight must be mounted properly. If you are unfamiliar with proper procedures to mount a scope, we highly recommend to have the scope mounted by a qualified gunsmith.

You can mount the Midas Flash on selective models of handguns that are designed for the RMR style optic footprint, or by using the appropriate adapter plate supplied by the firearm manufacturer. The unit has two mounting screws and a shim card provided in the package. Ensure the shim card is placed between the red dot and the firearm/plate before securing. When mounting the unit do not over-tighten the screws.